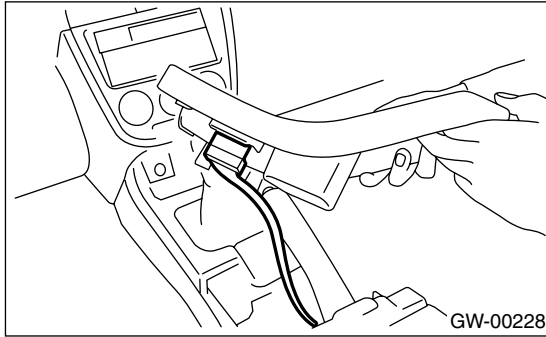


10. Remote Control Mirror Switch

A: REMOVAL

- 1) Remove the console cover.
- 2) Disconnect the connector.



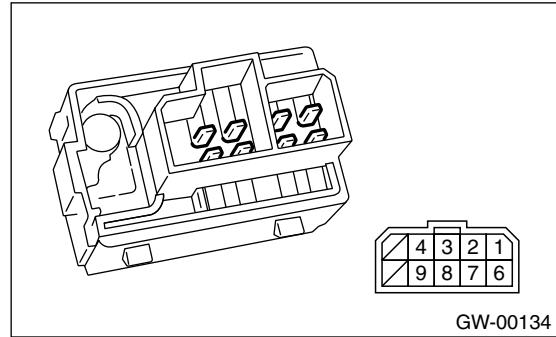
- 3) Remove the remote control mirror switch from console cover.

B: INSTALLATION

Install in the reverse order of removal.

C: INSPECTION

Move the rearview mirror switch to each position and check continuity between terminals.



Change over switch right position:

Switch position	Terminal No.	Standard
OFF	—	More than 1 MΩ
UP	4 and 6, 2 and 1	Less than 1 Ω
DOWN	6 and 2, 4 and 1	Less than 1 Ω
LEFT	4 and 8, 2 and 1	Less than 1 Ω
RIGHT	8 and 2, 4 and 1	Less than 1 Ω

Change over switch left position:

Switch position	Terminal No.	Standard
OFF	—	More than 1 MΩ
UP	4 and 7, 2 and 1	Less than 1 Ω
DOWN	7 and 2, 4 and 1	Less than 1 Ω
LEFT	4 and 9, 2 and 1	Less than 1 Ω
RIGHT	9 and 2, 4 and 1	Less than 1 Ω

If NG, replace the switch.